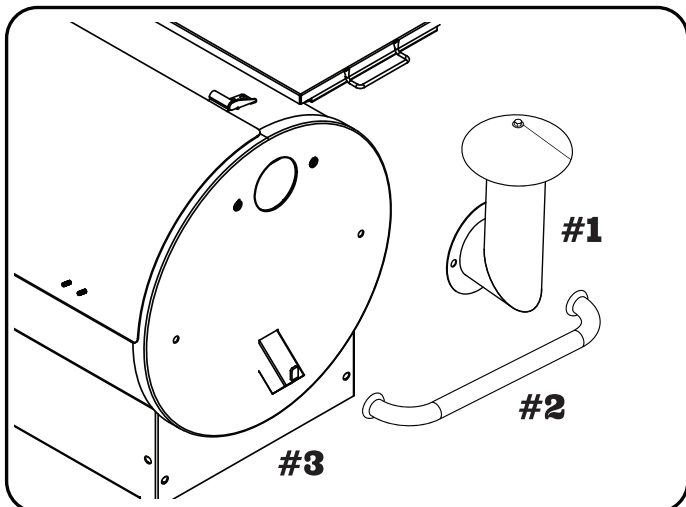


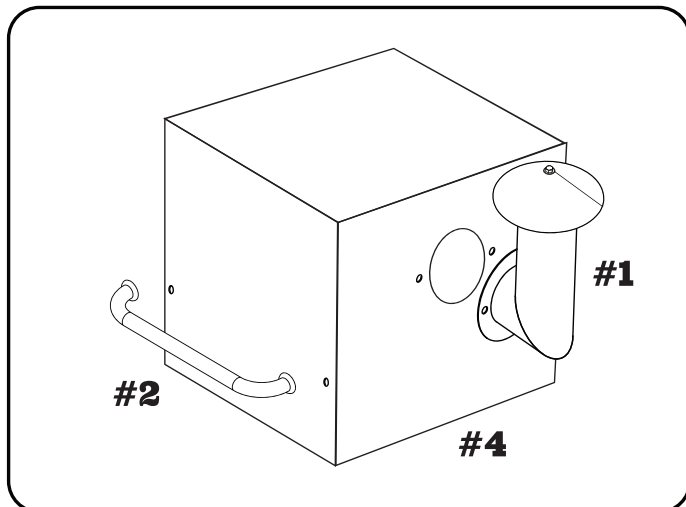
SMOKEBOX

INSTALLATION INSTRUCTION



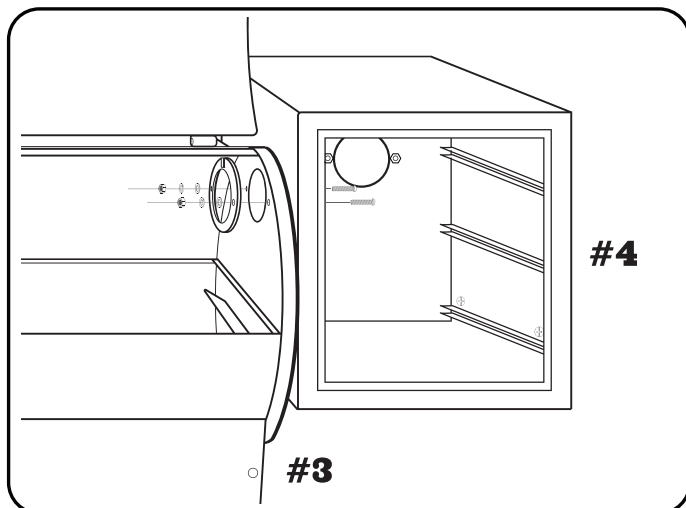
STEP 1

Remove Smoke Stack (#1)
and Pull Handle (#2)
from Grill Body (#3)



STEP 2

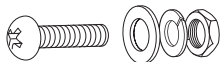
Attach smoke stack (#1) to rear of smokebox (#4).
Attach pull handle (#2) to the right side of the
Smokebox (#4)



STEP 3

Attach Smokebox (#4) to grill body (#3) using
enclosed hardware.

***Support ring should be
mounted inside grill.**



Bolt Assembly Order

