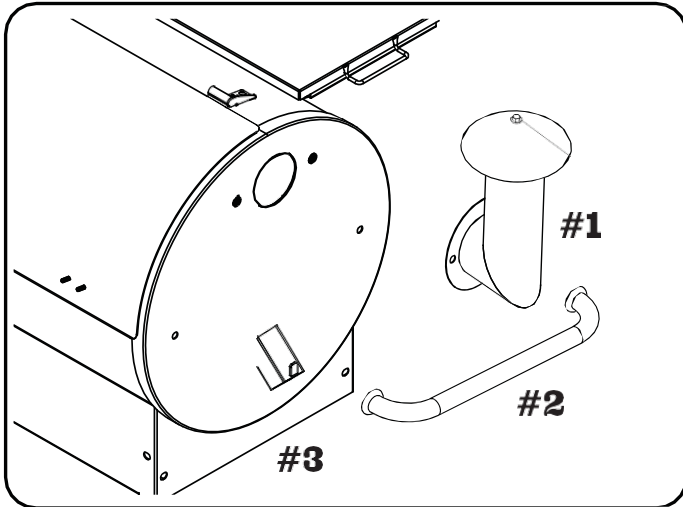




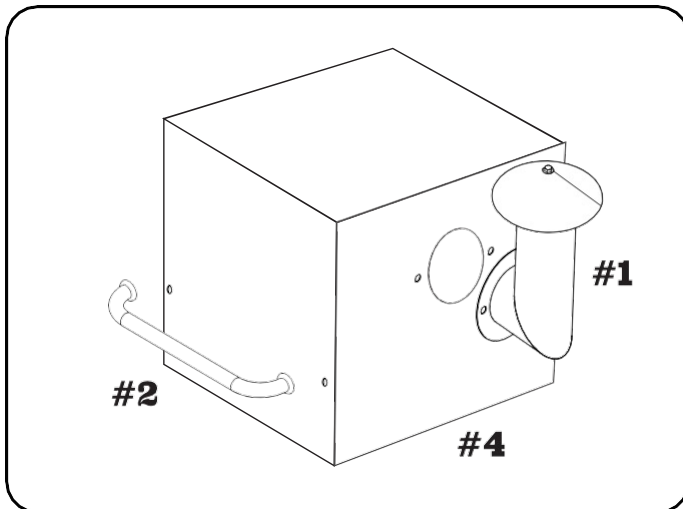
SMOKEBOX

Installation Instructions



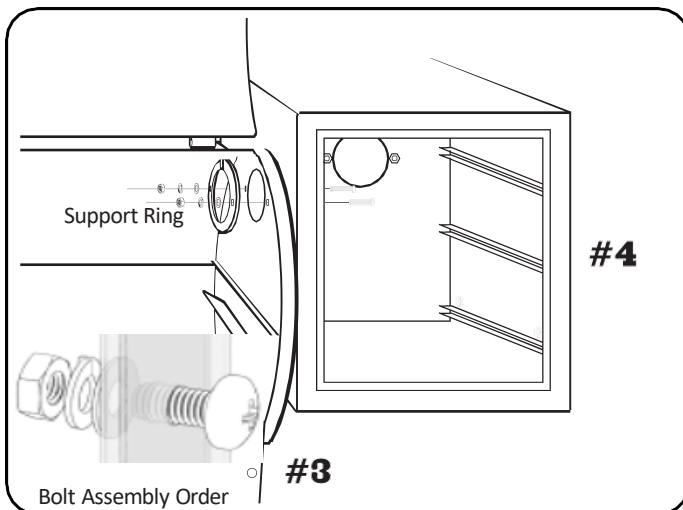
STEP 1

Remove Smokestack (#1) and Pull Handle (#2) from Grill Body (#3)



STEP 2

Attach Smokestack (#1) to rear of Smokebox (#4). Attach Pull Handle (#2) to the right side of the Smokebox (#4)



STEP 3

Attach Smokebox (#4) to grill body (#3) using 4 bolts, flat washers, lock washers, and nuts through Smokestack holes (2) and Pull Handle holes (2).

****Support ring should be mounted inside grill on RT-700 models. This part is not required for other grill models and can be discarded.***

*****Flagship and DualFire models should install clip into grease spout and hang bucket underneath Smokebox***

