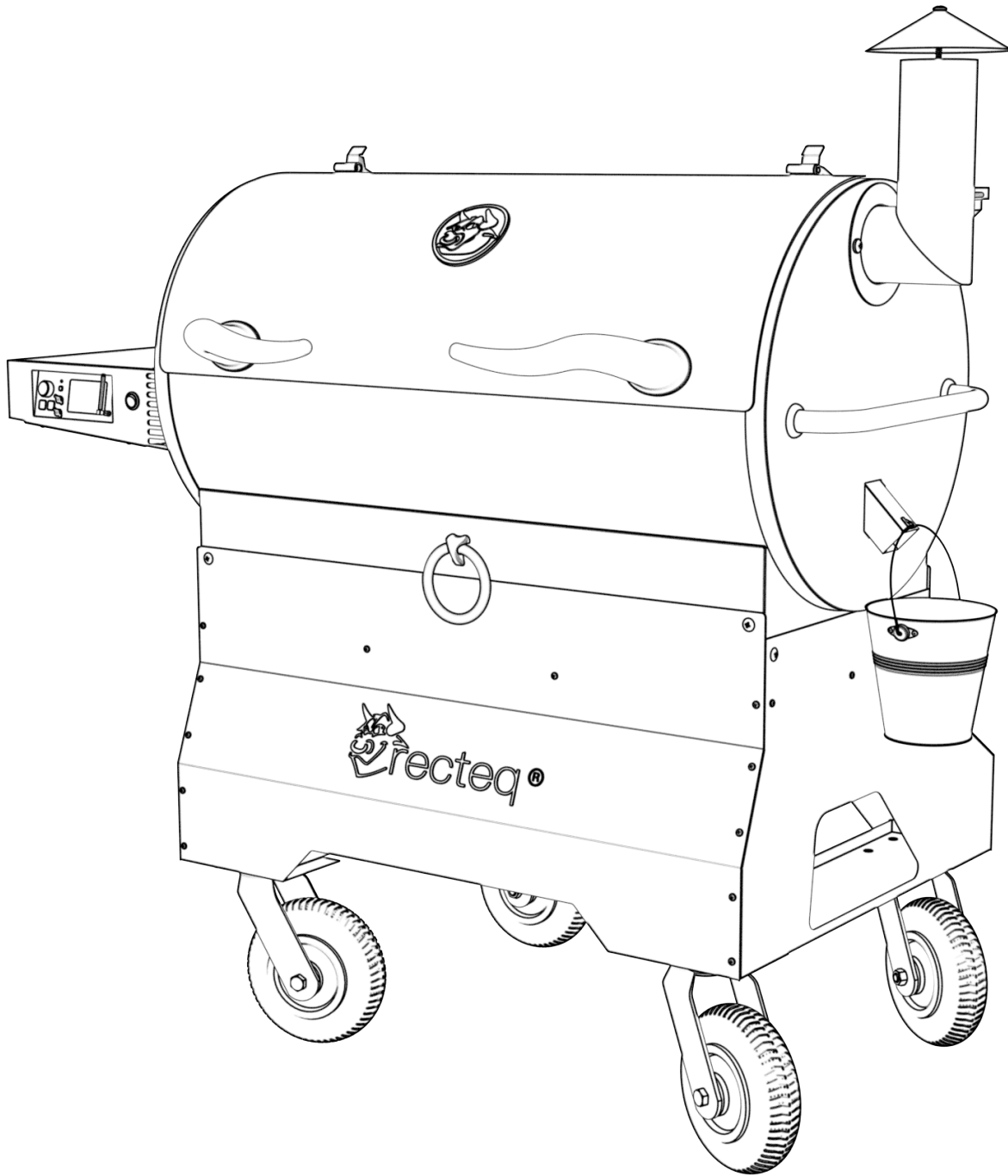




# RT-700 Competition Cart



— Assembly Manual —

# RT-700

## Competition Cart Assembly

**Step 1:** Unpack and prepare for assembly.

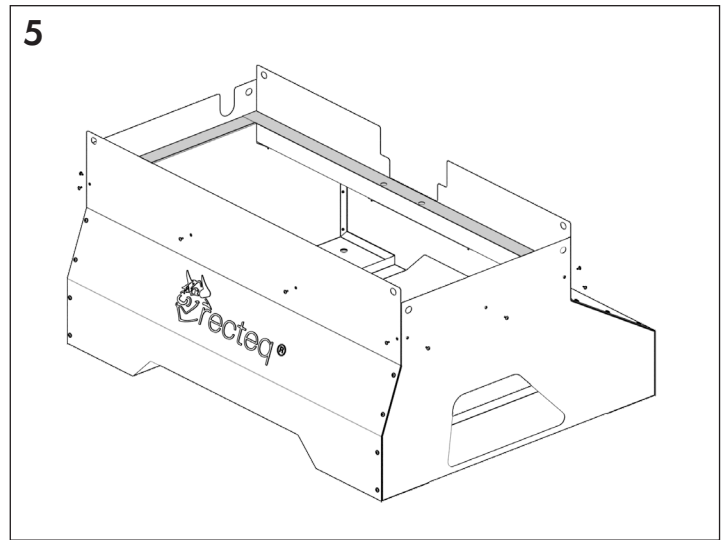
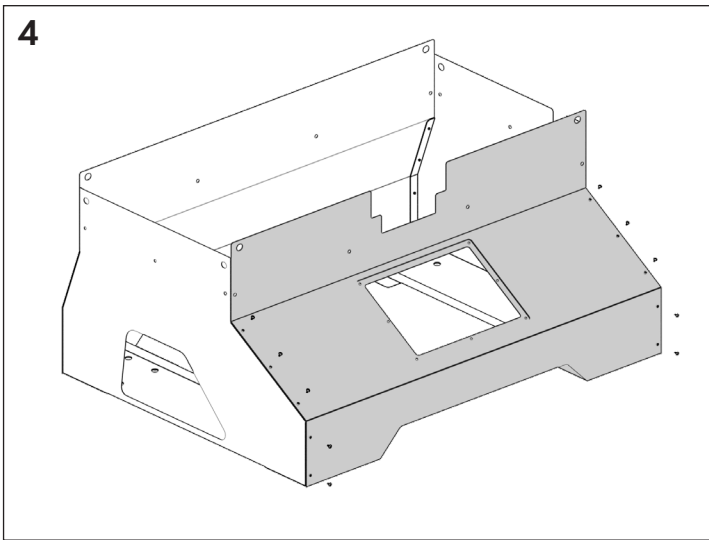
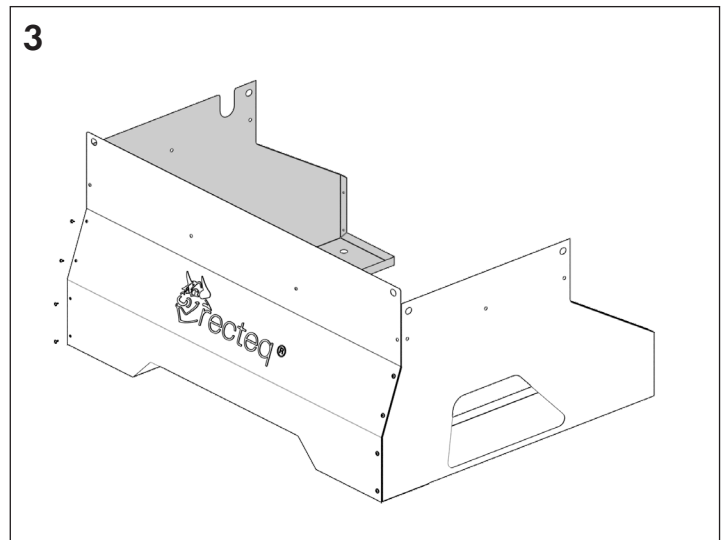
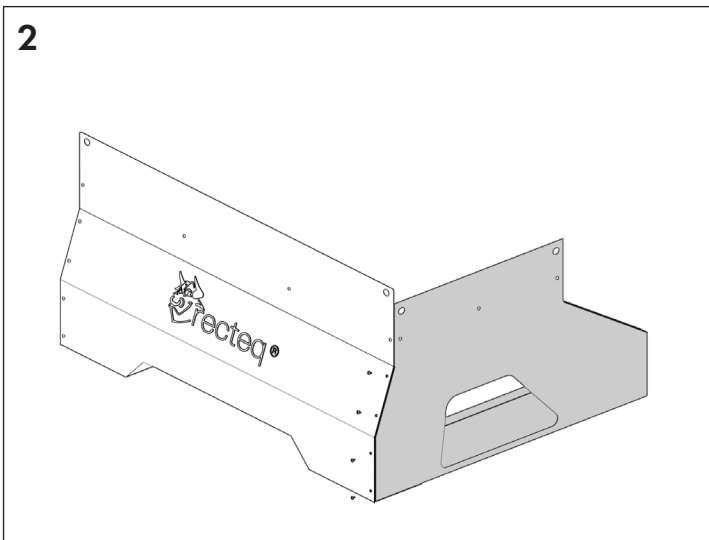
**Step 2:** Attach right side panel to front panel.

**Step 3:** Attach left side panel to front panel.

**Step 4:** Attach back panel onto the rest of the assembly.

**Step 5:** Slide internal cart frame and attach to cart assembly.

*Use provided black machine screws for steps 2-5.*



# RT-700

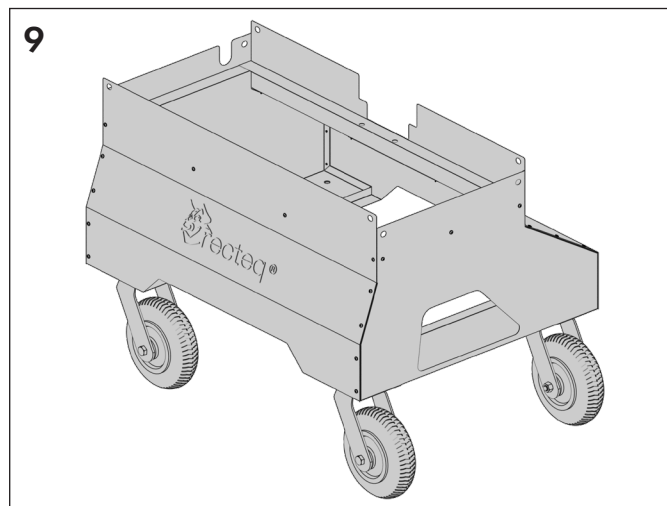
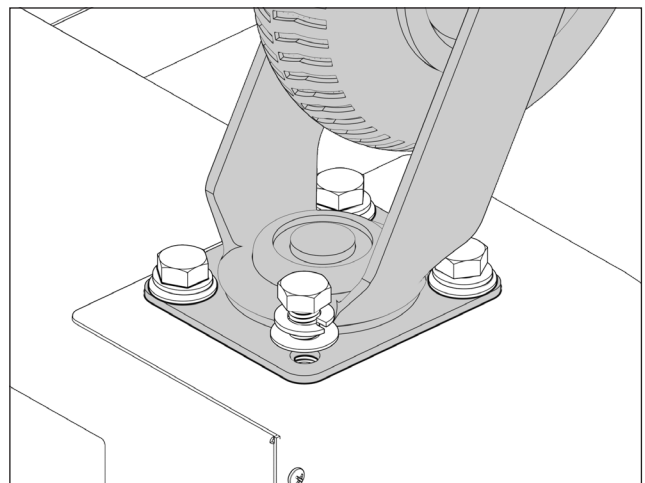
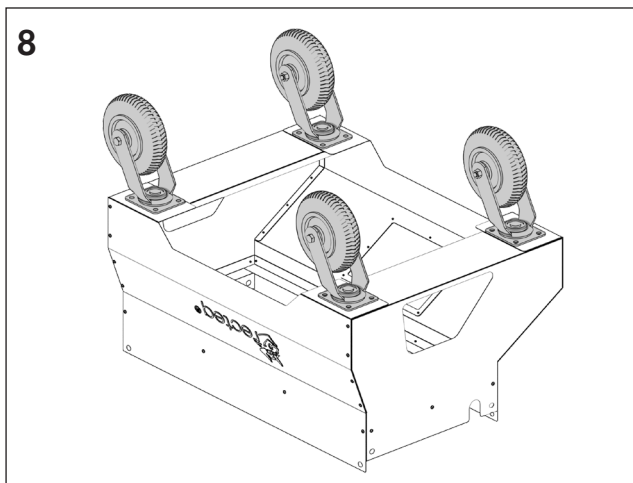
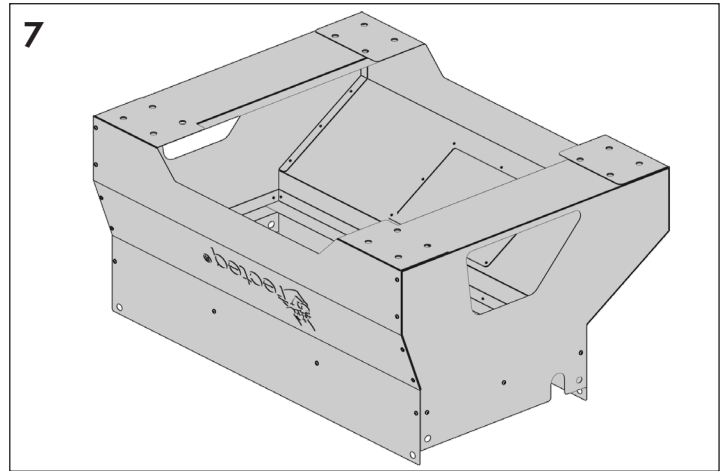
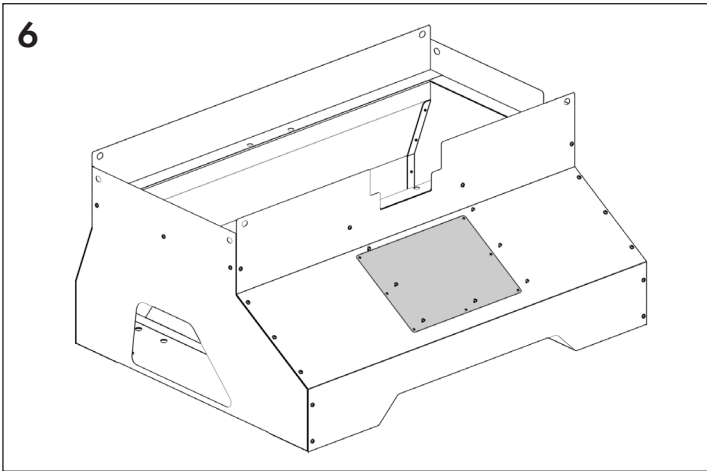
## Competition Cart Assembly cont.

**Step 6:** Attach access panel with provided black machine screws.

**Step 7:** *With assistance*, flip cart over to attach wheels.

**Step 8:** Attach locking caster wheels following bolt assembly order.

**Step 9:** *Lock caster wheels* and flip cart over with assistance.



# RT-700

## Competition Cart Assembly cont.

**Step 10:** *With assistance*, lift grill onto cart.

**Step 11:** Use long stainless steel bolts to attach cart to the grill.

*For front shelf: Thread bolt through front shelf, cart, then grill.*

