

TRIM KIT

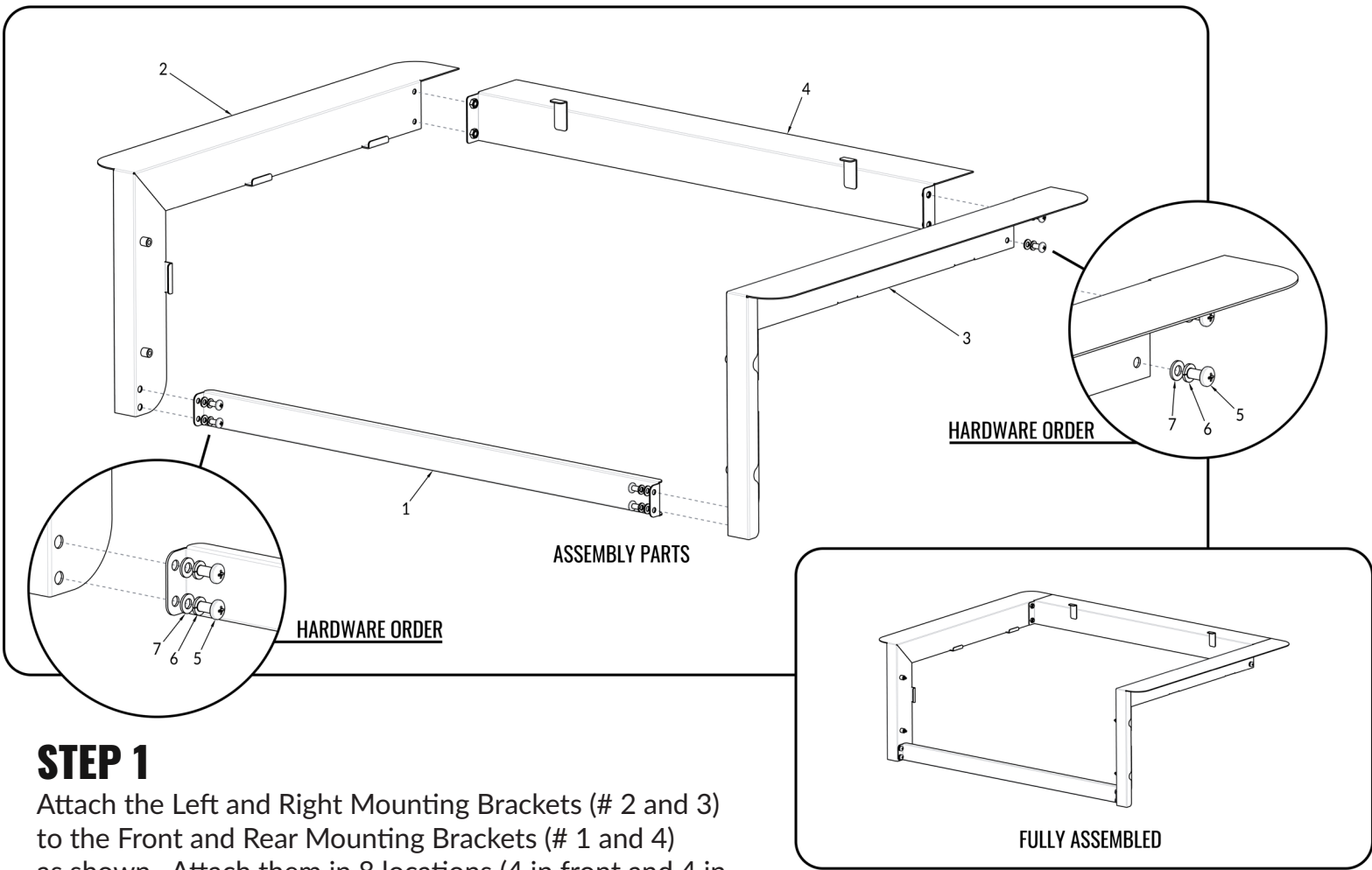
Installation Instructions

AC1300TRMKT

Thank you for purchasing the trim kit for your RT-1300 Built In Grill!
 These instructions will help you to install this kit onto your grill to add that extra touch to your outdoor kitchen area. Please follow the steps below for installation.

ITEMS INCLUDED

ITEM NO.	DESCRIPTION	QTY
1	Front Mounting Bracket	1
2	Left Mounting Bracket	1
3	Right Mounting Bracket	1
4	Rear Mounting Bracket	1
5	Panhead Bolt, No.4 Phillips Head, 16mm Long	8
6	Lock Washer for Item 5, 15mm Outside Diameter	8
7	Flat Washer for Item 5, 16mm Outside Diameter	8
8	Panhead Bolt, No.3 Phillips Head, 25mm Long	4
9	Lock Washer for Item 8, 12mm Outside Diameter	4



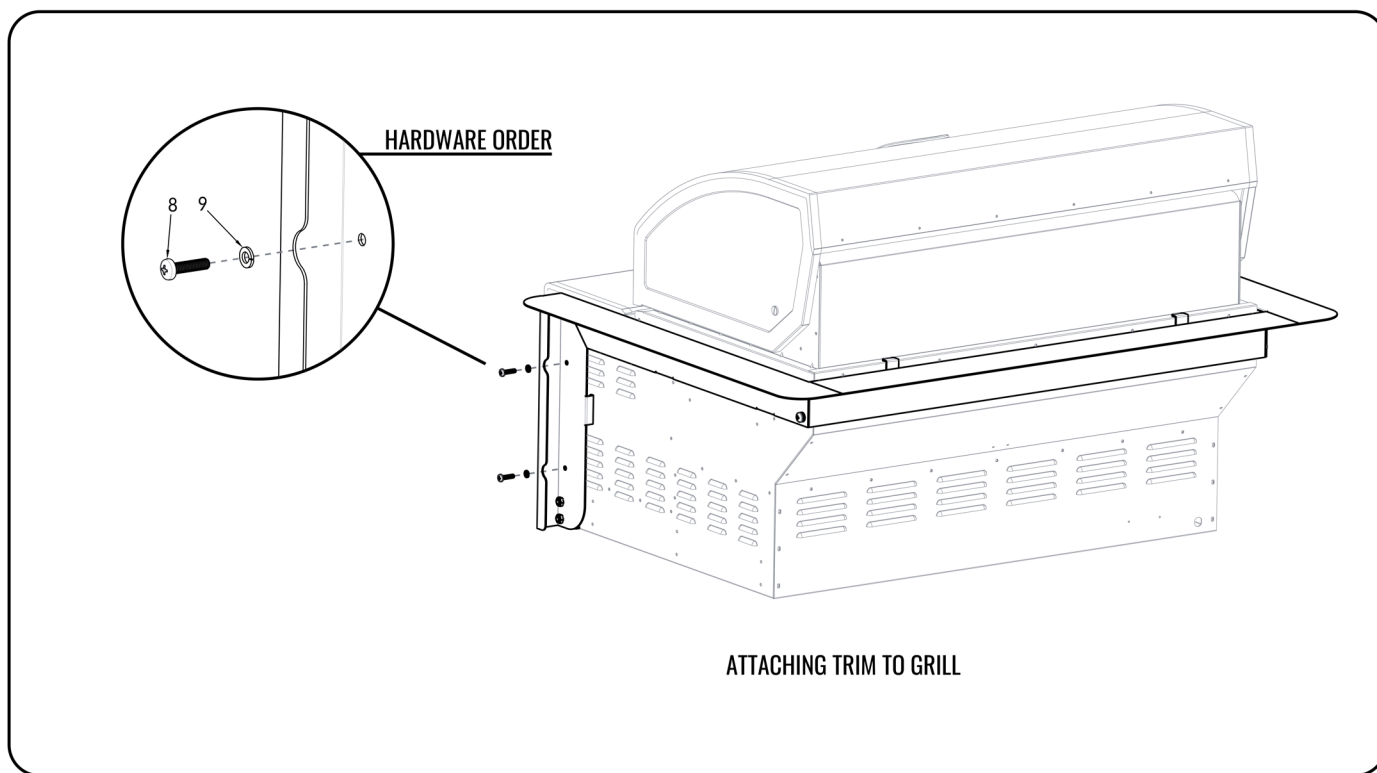
STEP 1

Attach the Left and Right Mounting Brackets (# 2 and 3) to the Front and Rear Mounting Brackets (# 1 and 4) as shown. Attach them in 8 locations (4 in front and 4 in rear) Using the Panhead Bolts, Lockwashers, and Flat Washers (# 5, 6, and 7) to join them.

TRIM KIT

Installation Instructions

AC1300TRMKT



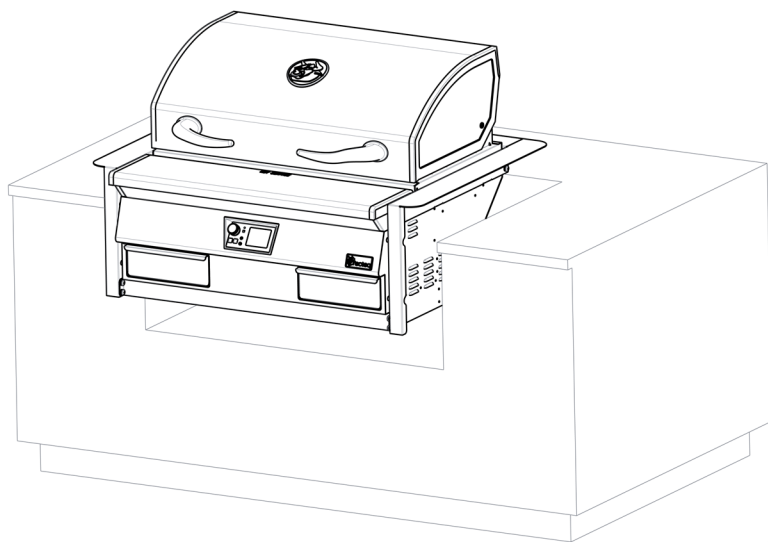
STEP 2

Attach the assembled trim kit to the 4 locations on the front of the RT-1300 (two on each side) using Panhead Bolts and Lockwashers (# 8 and 9).

TRIM KIT

Installation Instructions

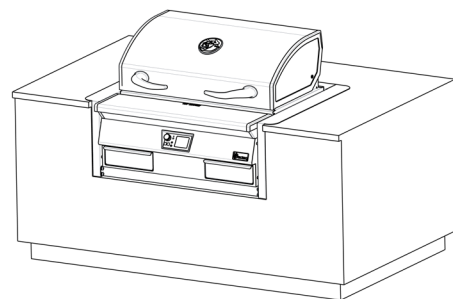
AC1300TRMKT



STEP 3

Place assembled grill and trim-kit into pre-fabricated opening in counter top.

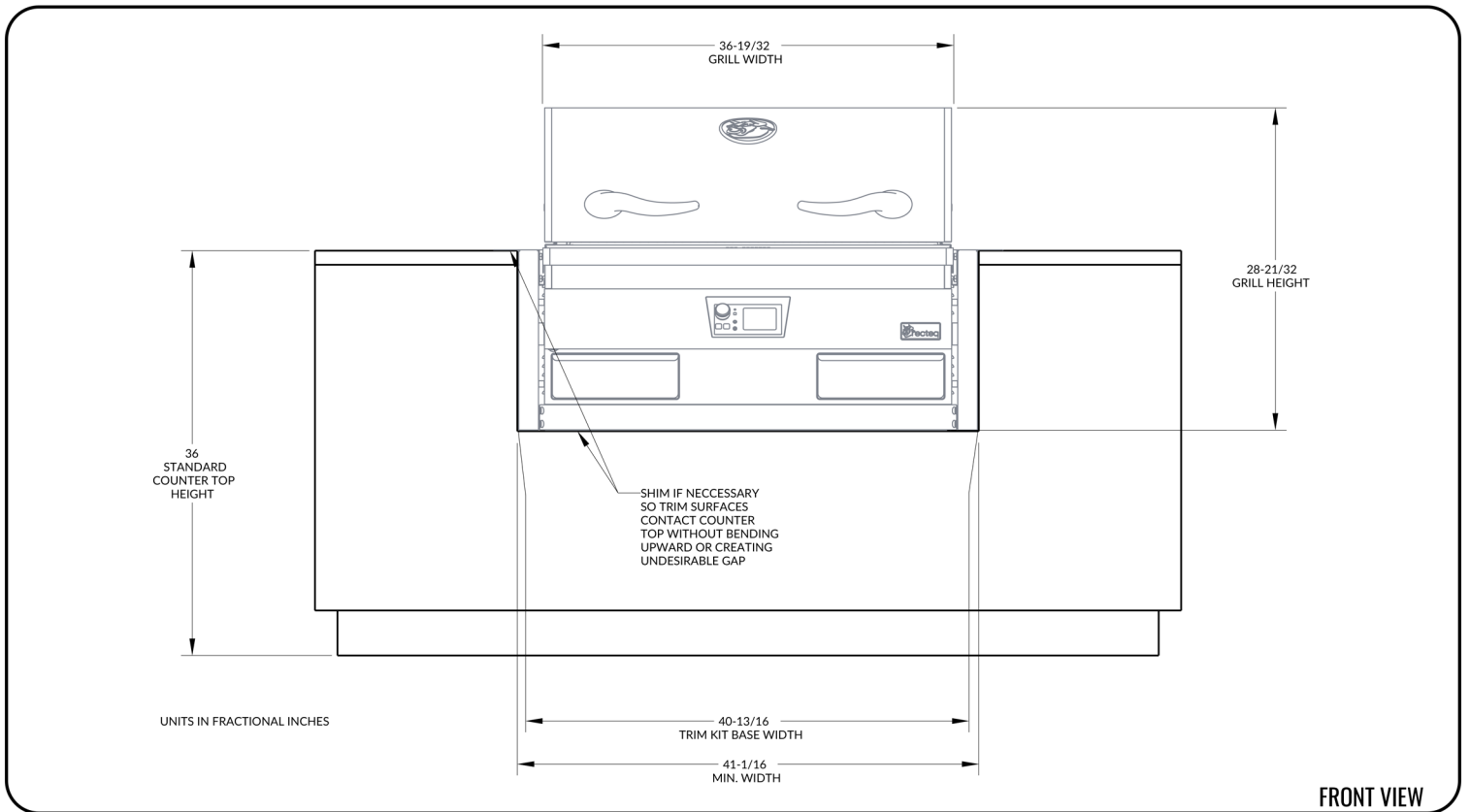
See following pages for suggested opening dimensions.



TRIM KIT

Installation Instructions

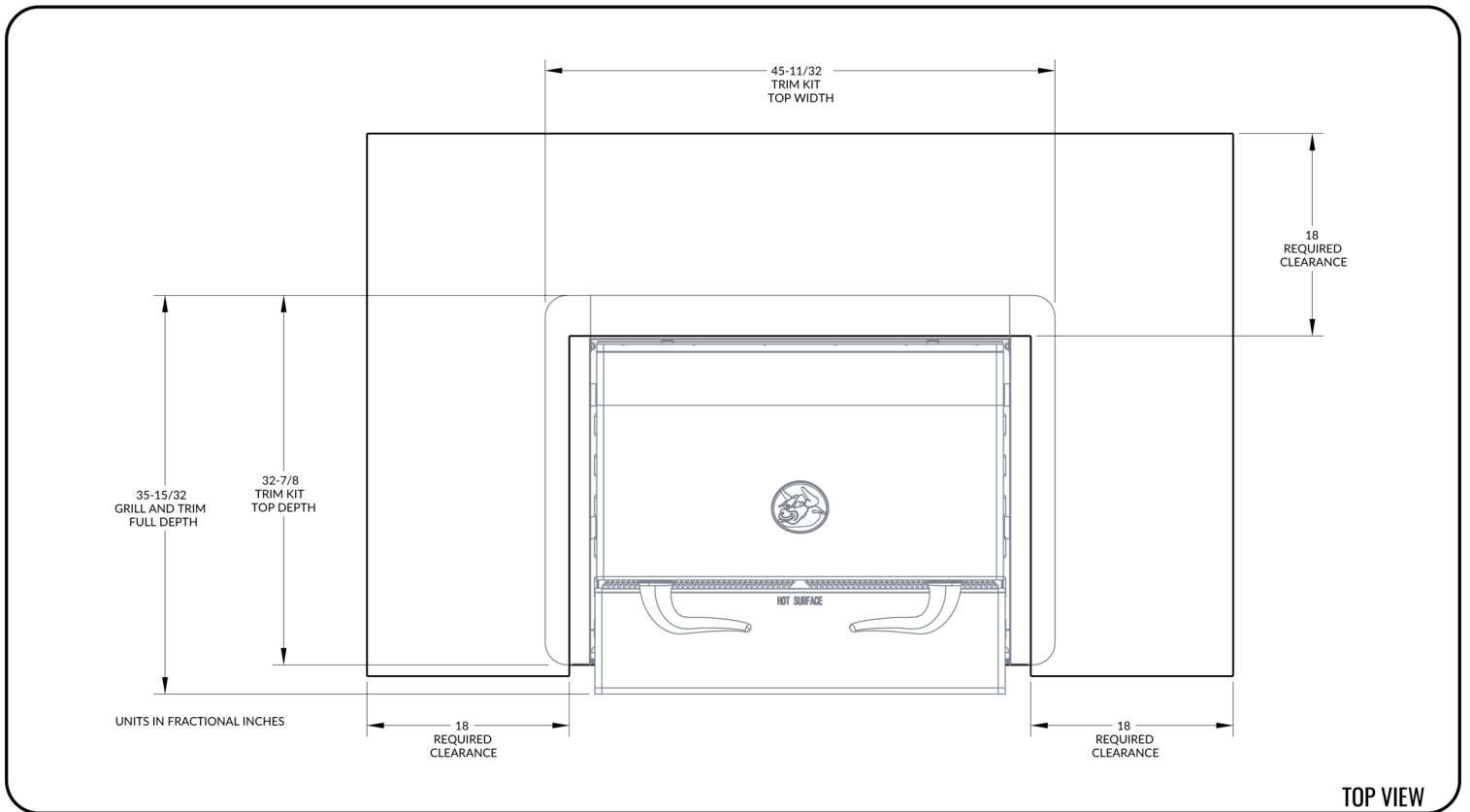
AC1300TRMKT



TRIM KIT

Installation Instructions

AC1300TRMKT



TRIM KIT

Installation Instructions

AC1300TRMKT

