

1070 Built-In Warnings

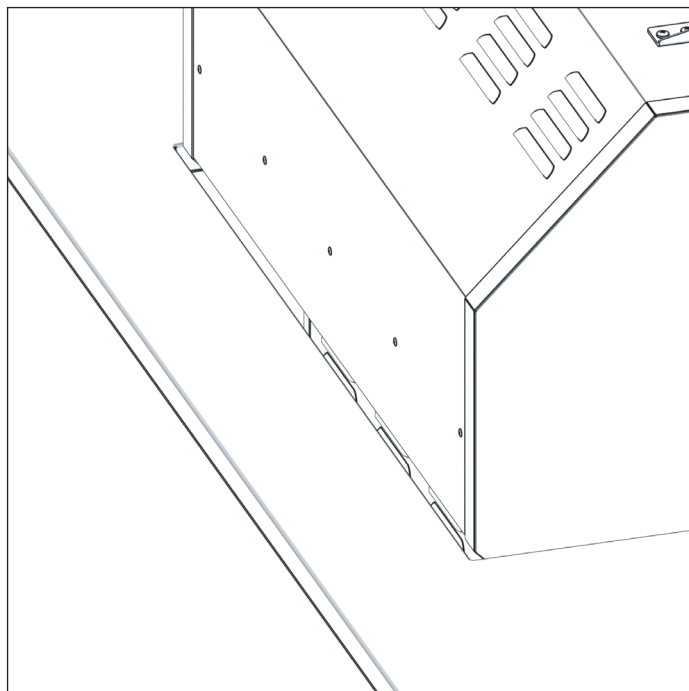
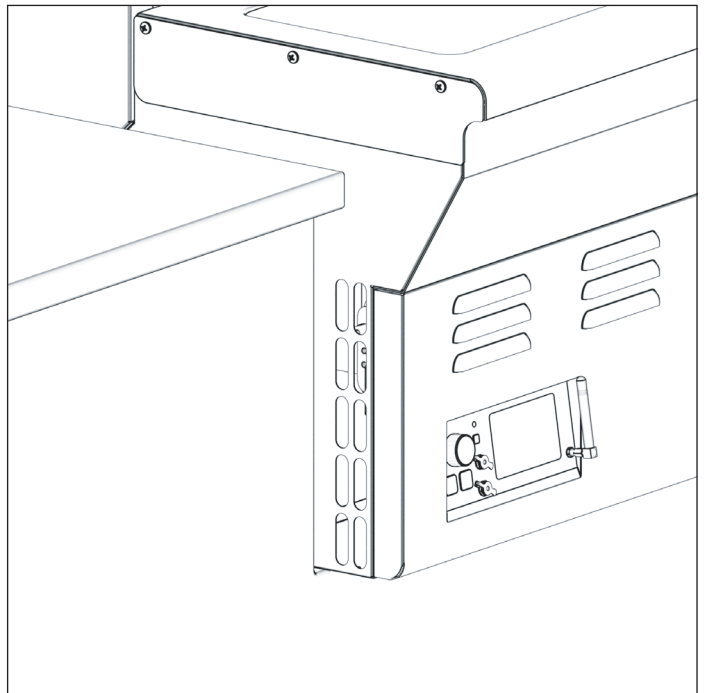
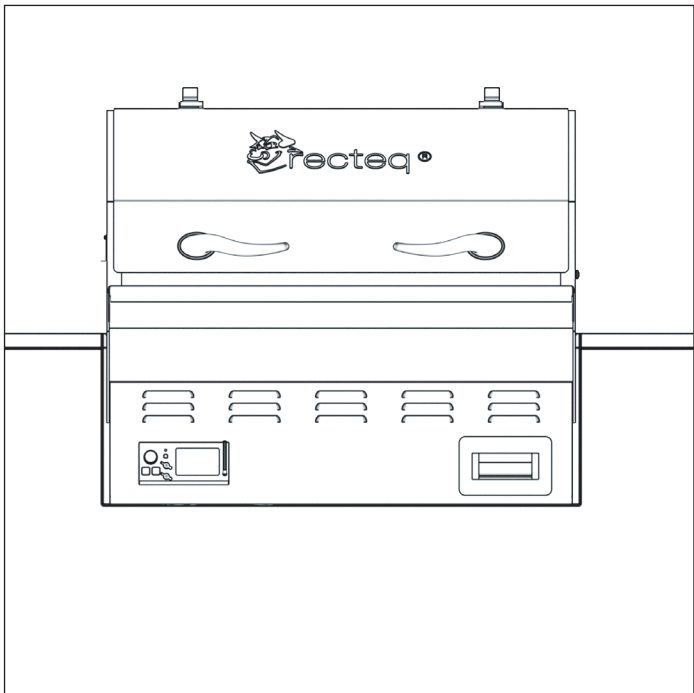
Make sure there is enough clearance to slide grill into space. Surrounding materials need to be non-flammable and meet local building codes.

Do not seal grill into place, cover front vents, or close off rear vents when sliding grill into place, doing so will keep the grill from operating correctly.

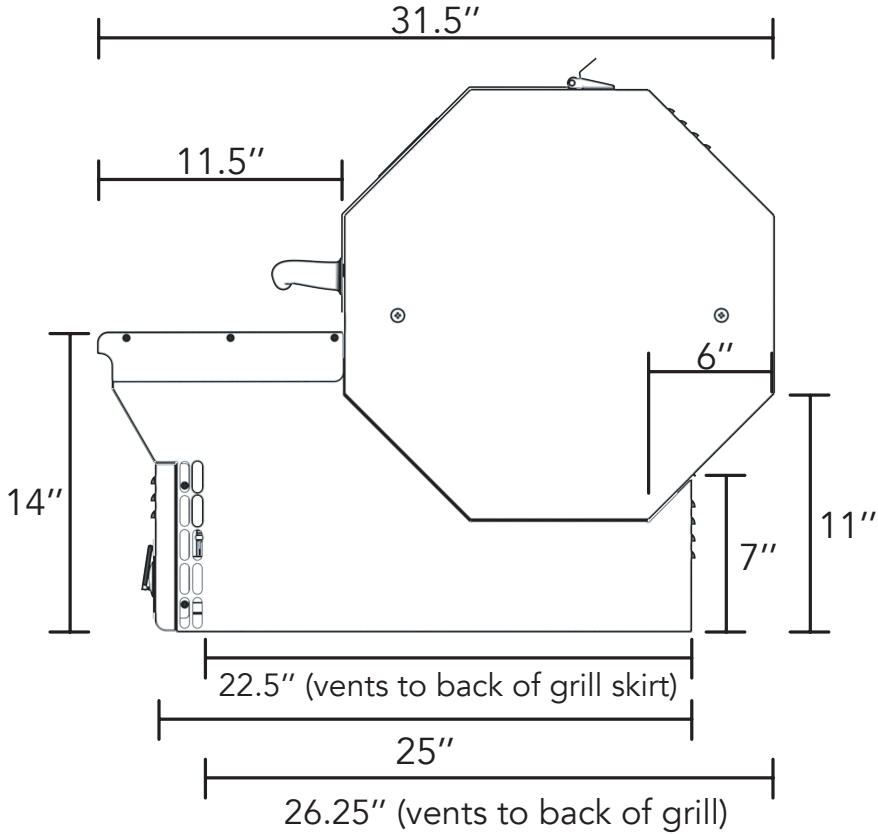
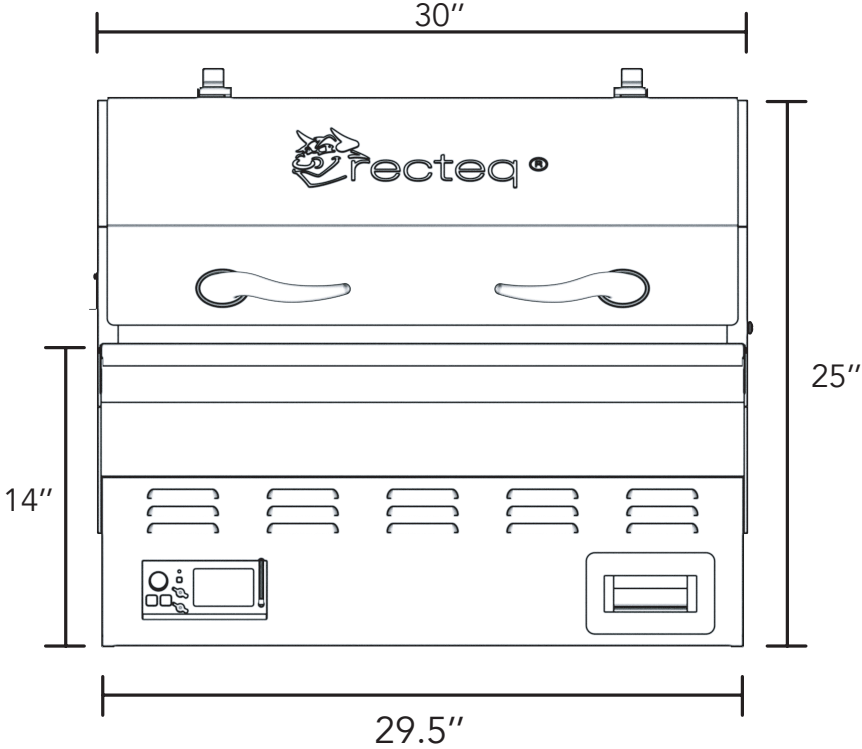
Leave approximately a 1" to 2" gap between the rear vents and building material.

Make sure electrical outlet/box is not behind the grill but rather separated in a different compartment.

Pro tip: A 1.5" hole can be used to thread electrical cord.

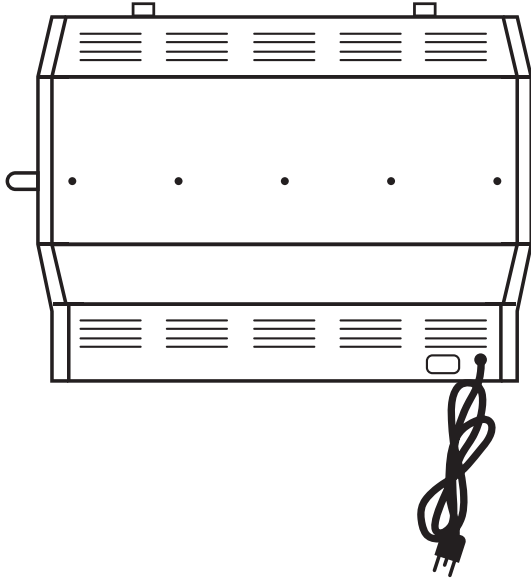


RT-1070 Dimensions



*All measurements are approximations

RT-1070 Dimensions for Electrical



Electrical Cord is 2"

from the back right

of the grill, and 1.5"

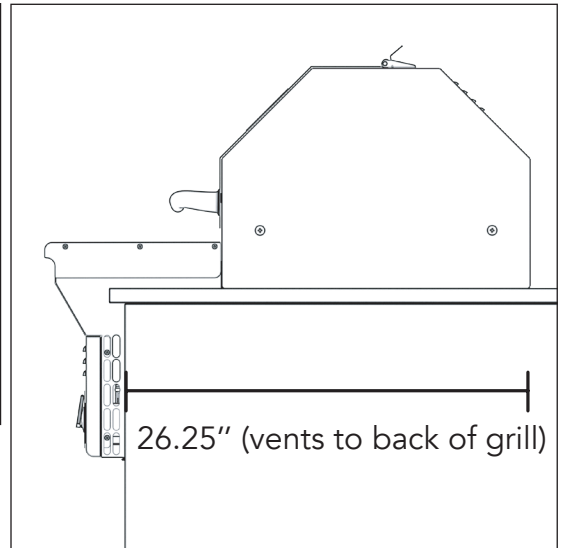
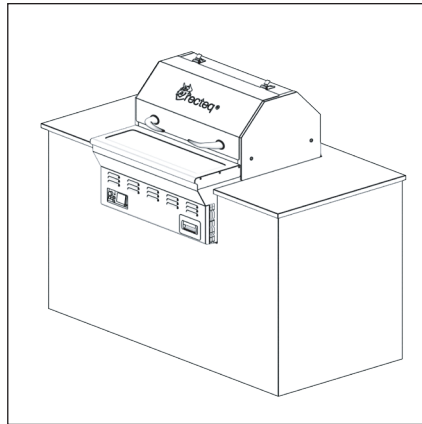
from the bottom.

TOTAL CORD LENGTH: 4'8"

Built-In Styles

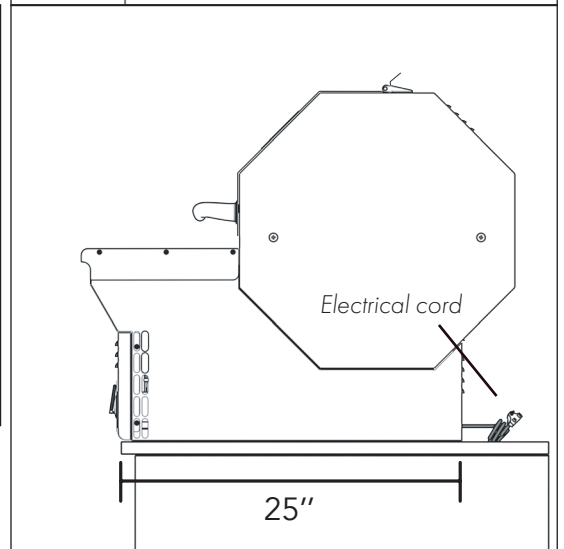
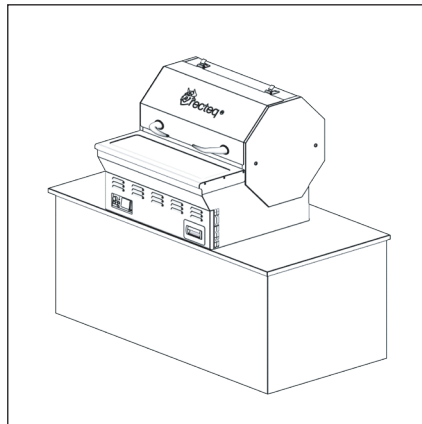
Built-In #1

This style uses the back of the grill to the front vents as guidelines.



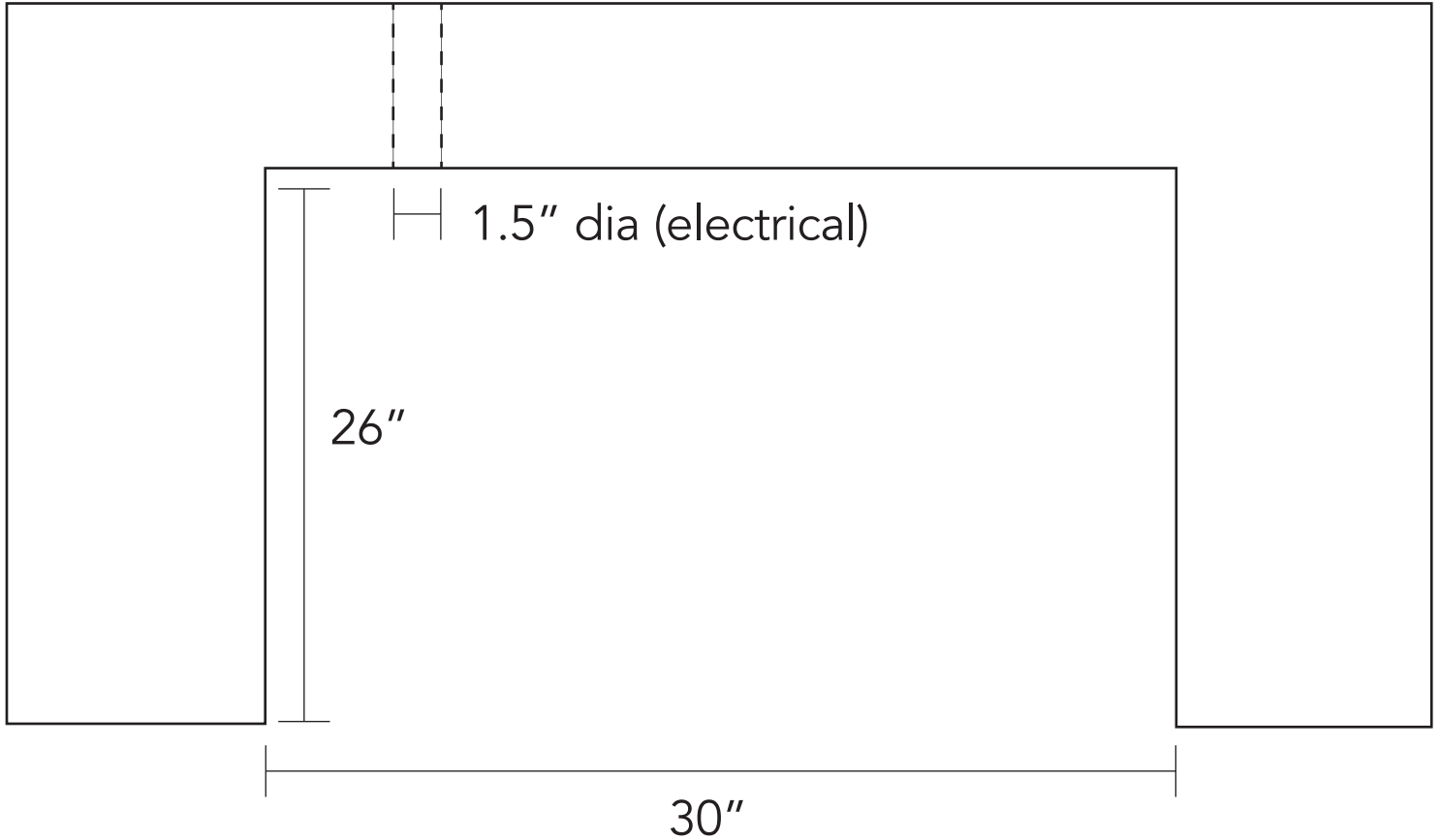
Built-In #2

This style uses the back of the grill skirt to front of grill controls as guidelines.



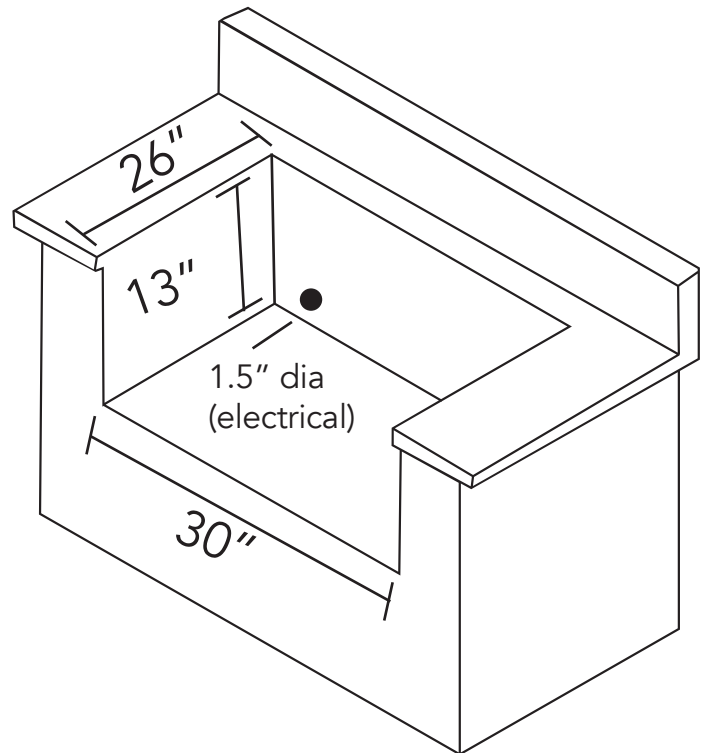
**All measurements are approximations*

Cut Sheet (Overhead View)



BUILT IN MEASUREMENTS

Width:	30"
Height:	13"***
Depth:	26"
Electrical:	1.5" dia



*** Due to hopper and pull bar hardware, we do not recommended a height taller than 13"